

A Fusion of the Art and Science of Light

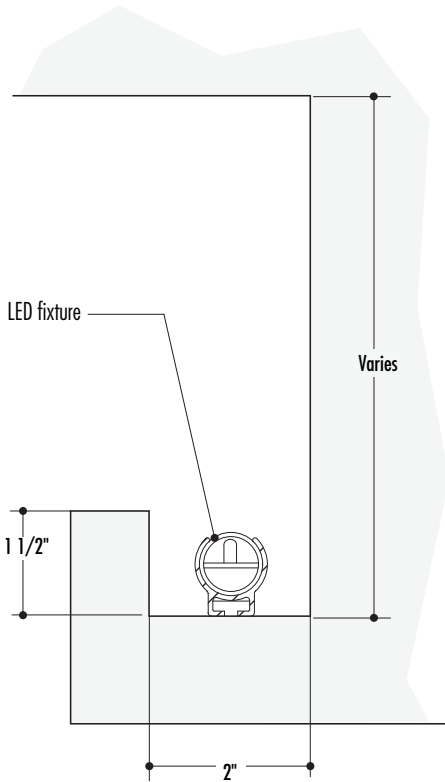
**SLIMLITE PRODUCT DETAILS:**

date: September 14, 2007

sheet description: Details

file: SMdetails.pdf

PRODUCT DETAILS  
Model Number: SM01

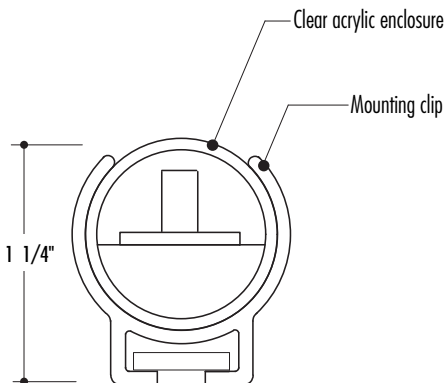


**Section**

Cove Mount

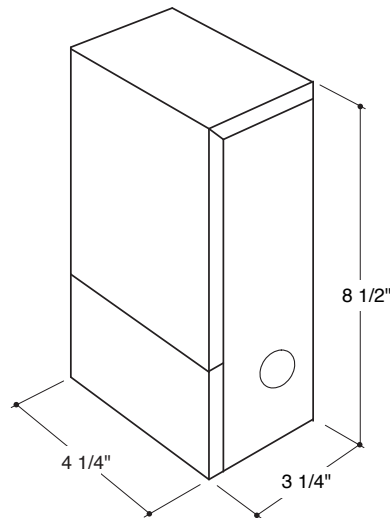
NTS

Note: Fixture to be field aimed by Lighting Designer



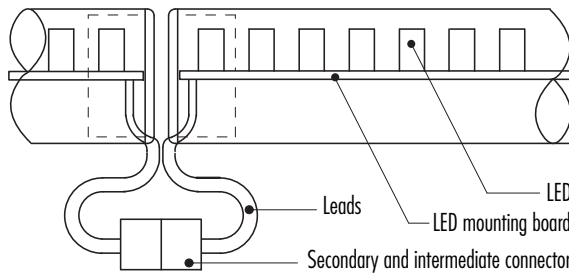
**Elevation**

NTS



**Driver**

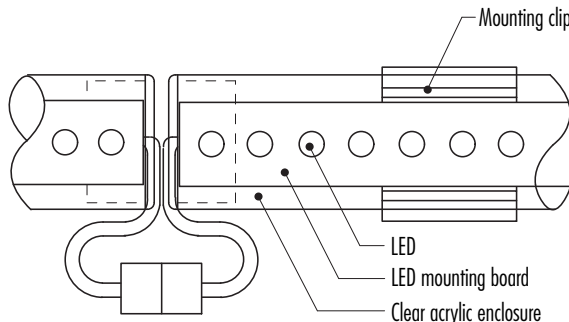
NTS



**LED Fixture Elevation**

Butt Joint Condition

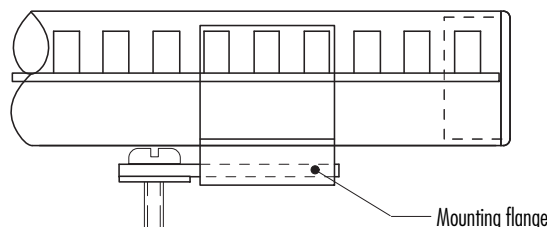
NTS



**LED Fixture Top View**

Butt Joint Condition

NTS



**LED Fixture Elevation**

End Condition

NTS

DETAILS  
SLIMLITE

**ACL INC.**  
Architectural Cathode Lighting, Incorporated  
[cathodelighting.com](http://cathodelighting.com)

5301 Pacific Boulevard  
Huntington Park California 90255 USA  
Telephone 323.581.8800  
Fax 323.581.7971  
[info@cathodelighting.com](mailto:info@cathodelighting.com)